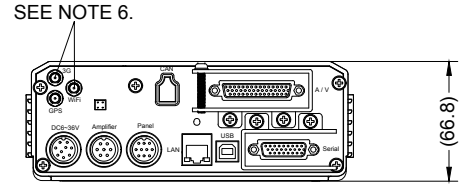
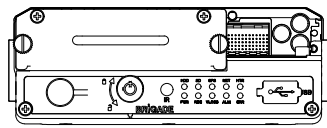
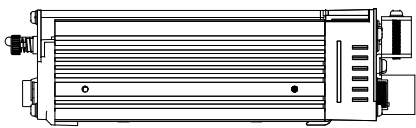
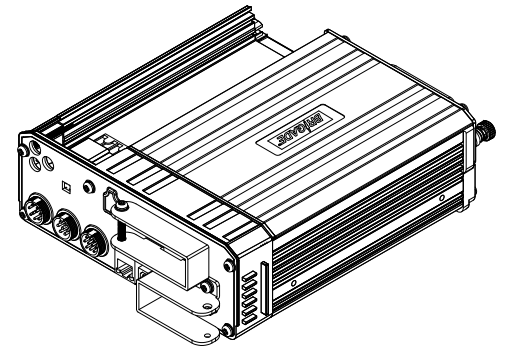
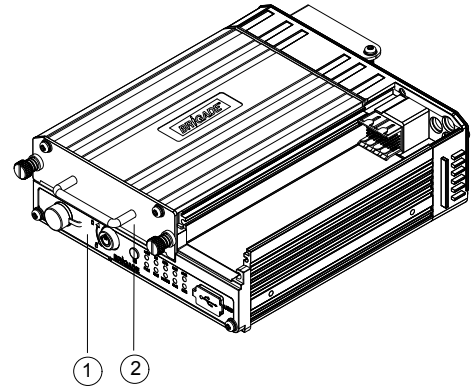
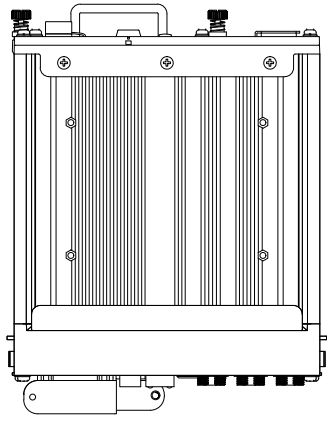
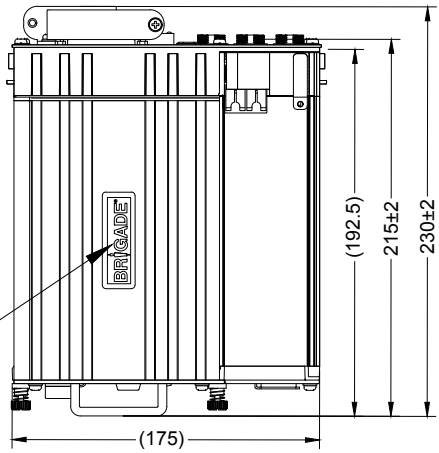


Revision Notes:
 R1 -
 APA: _____ Drawn: _____ Checked: _____ Approved: _____ Date: _____



SECURITY LOCK



LOGO
SEE NOTE 5.

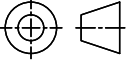
ITEM	PART NUMBER	QTY	MODEL NUMBER	DESCRIPTION
(A)	5048	1	MDR-408-1000-CU-E	MOBILE DIGITAL RECORDER CONTROL UNIT WITHOUT EXPANSION MODULE

ITEM	①	②
DESCRIPTION	MAIN RECORDER UNIT	HDD CADDY AND 1TB
MODEL NUMBER	MDR-408-DS	MDR-408-1000-MCU
PART NUMBER	4898	4900
MDR-408-1000-E QTY	1	1

- NOTES:
1. REFERENCE INSTRUCTION GUIDE FOR FUNCTIONALITY.
 2. FOR PRODUCT LABEL REFER TO LATEST REVISION OF DRAWING: BE-003110-XX-15.
 3. FOR SERIAL NUMBER LABEL REFER TO LATEST REVISION OF DRAWING: BE-003112-XX-15.
 4. ANY CUSTOMER MODIFICATION OF THIS PRODUCT CAUSING SUBSEQUENT FAILURE IS NOT A LIABILITY OF BRIGADE ELECTRONICS GROUP PLC.
 5. FOR BRIGADE LOGO SEE BRIGADE-LARGE-LOGO STICKER 55185-4526(01.10.05.218)-V1.0.
 6. 3G AND WIFI CAPABILITIES DEPEND ON MODEL AND AVAILABILITY.

PROPRIETARY NOTICE
 THIS DESIGN AND TECHNICAL INFORMATION APPEARING ON THIS DRAWING IS THE PROPERTY OF BRIGADE ELECTRONICS, AND IS DISCLOSED IN CONFIDENCE. IT IS NOT TO BE COPIED, REPRODUCED, REVEALED TO OR EXPROPRIATED BY OTHERS, EITHER IN WHOLE OR IN PART WITHOUT THE EXPRESS WRITTEN CONSENT OF BRIGADE ELECTRONICS.



Assembly Pl Approval E.PANG	Approved by B.JOHN	Checked by R.BATES	Drawn by L.PILLAY
Angle of Projection  Third Angle	Units mm	Scale N/A	Released 15/12/15
Status RELEASED	Part No 5048	Assembly Ref MDR-408-1000-CU-E	
		BE-003268-00-15	